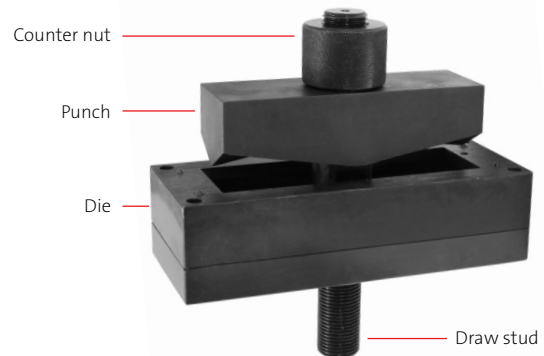


Rectangular & Square Punches

Sized for Heavy Multi-Pin Industrial Connectors & icotek Cable Entry Systems



Type	Cut-out size	Max. sheet thickness	For cut-out of connector	Order No.	PU
Punch 22x45	22 x 45 mm 0.866 x 1.772 "	2 mm 0.079 "		80059	1
Punch 92x92	92 x 92 mm 3.662 x 3.662 "	2 mm 0.079 "		80060	1
Punch 125x125	125 x 125 mm 4.921 x 4.921 "	2 mm 0.079 "		80063	1
Punch 66x112	66 x 112 mm 2.598 x 4.409 "	2 mm 0.079 "		80061	1
Punch E2	24 x 43 mm 0.945 x 1.693 "	2 mm 0.079 "		80055	1
Punch E3	24 x 65 mm 0.945 x 2.56 "	2 mm 0.079 "		80056	1
Punch E4	24 x 86 mm 0.945 x 3.386 "	2 mm 0.079 "		80057	1
Punch E5	24 x 112 mm 0.945 x 4.409 "	2 mm 0.079 "		80058	1
Punch 6	36 x 52 mm 1.417 x 2.05 "	2 mm 0.079 "	6-pin	80062	1
Punch 6 for stainless steel V2A	36 x 52 mm 1.417 x 2.05 "	2 mm 0.079 "	6-pin	80149	1
Punch B	46 x 46 mm 1.811 x 1.811 "	2 mm 0.079 "		80050	1
Punch B for stainless steel V2A	46 x 46 mm 1.811 x 1.811 "	2 mm 0.079 "		80150	1
Punch 10	36 x 65 mm 1.417 x 2.56 "	2 mm 0.079 "	10-pin	80051	1
Punch 10 for stainless steel V2A	36 x 65 mm 1.417 x 2.56 "	2 mm 0.079 "	10-pin	80151	1
Punch 16	36 x 86 mm 1.417 x 3.386 "	2 mm 0.079 "	16-pin	80052	1
Punch 16 for stainless steel V2A	36 x 86 mm 1.417 x 3.386 "	2 mm 0.079 "	16-pin	80152	1
Punch 24	36 x 112 mm 1.417 x 4.409 "	2 mm 0.079 "	24-pin	80053	1
Punch 24 for stainless steel V2A	36 x 112 mm 1.417 x 4.409 "	2 mm 0.079 "	24-pin	80153	1
Punch 24-XL	46 x 112 mm 1.811 x 4.409 "	2 mm 0.079 "	24-pin	80054	1
Punch 24-XL for stainless steel V2A	46 x 112 mm 1.811 x 4.409 "	2 mm 0.079 "	24-pin	80154	1

Product Description

Rectangular and square punches and dies make it easy to punch holes into stainless steel (V2A versions), mild steel, aluminum or plastics with a max. sheet thickness of 2 mm. Available for cut-outs sizes of 10-, 16-, and 24- multi-pin heavy industrial connectors and also for numerous special cut-outs. Therefore, the punches are suitable for most icotek cable entry systems. Center punches are integrated in the die for exact drilling of mounting holes.

The punches are for hydraulic operation only.

Advantages & Benefits

- Center punches for exact drilling of mounting holes
- Robust plastic storage case
- Suitable for hand hydraulic punch driver by icotek and other manufacturers

Specifications

Material **Steel, hardened and burnished**

Scope of Delivery

Punch, die and draw stud,
robust plastic storage case

Compatible with

Hydraulic punch driver 212